

Round Top Removal (RT/RTC) Filter

- Round housing handles higher pressures
- Topside bag replacement speeds changeout of filter media
- Hinged top doors allow clean air access to filter media
- Can be fitted with either bags or pleated cartridges, depending on efficiency requirement



Application

This circular bodied pulse jet filter features convenient and efficient top hinged doors. With a top entry there is no need to enter the dirty portion of the filter. Top removal snap band filter bags require no tools for removal and can quickly be changed out.

RT filters work in low-capacity pneumatic conveying systems, such as vacuum loading of extruders or refilling minor/micro hoppers. Designed for low air volumes, the RT can handle higher pressures than a square or rectangular unit.

Schenck Process offers this filter in two styles: without the hopper (Style II) the filter is ideally suited as a bin vent filter for storage tanks, work bins and surge hoppers. With a 60° hopper (Style III) the filter receives dust through the hopper inlet and discharges the collected dust through an airlock for dust disposal or recycling.

When fitted with a pneumatic receiver, the Schenck Process RT filter becomes an excellent product receiver. Product enters the filter and is discharged from the bottom through an airlock. Centrifugal force separates the product from the airstream and gently discharges it.

Equipment

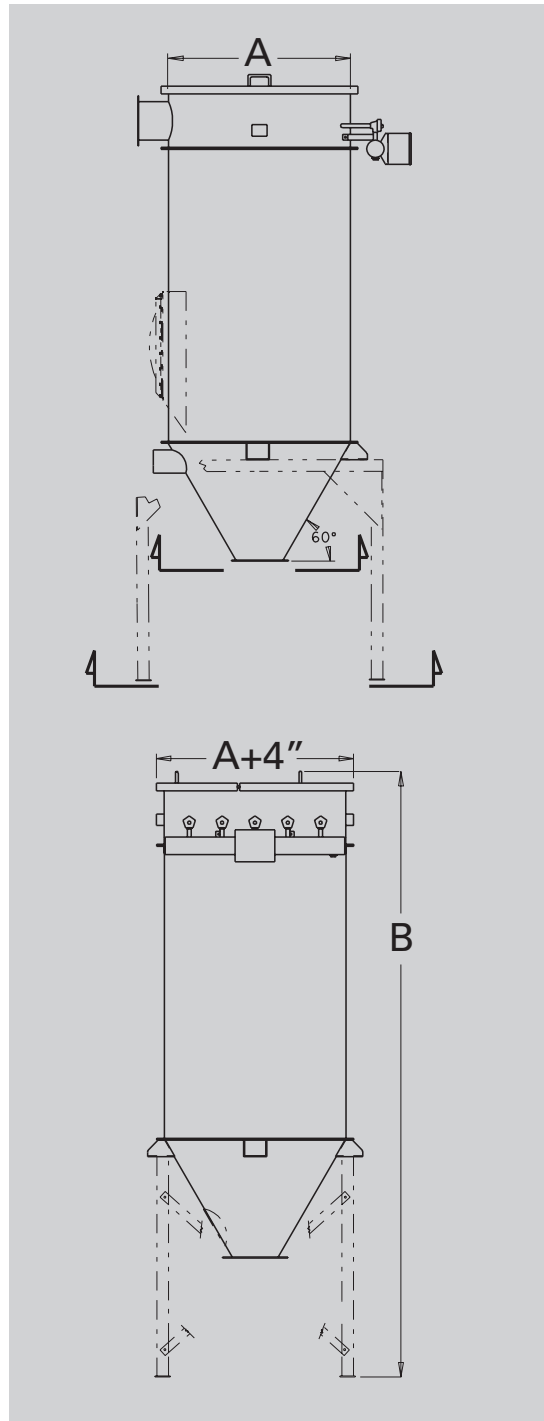
The same filter housing can be fitted with pleated cartridges for higher filtration efficiencies, and is then designated as an RTC. RTC models can handle higher air volumes than the RT model.

Standard Specifications

- Unit stressed for 40" W.C. and 200 °F standard temperature
- Carbon steel or stainless steel construction:
 - Top plenum: 7 ga. sidewall and doors
 - Cylinder:
 - RT7 and RT14: 10 ga.; RT 21 - 80 7 ga.
 - Hopper:
 - RT7 - RT39: 10 ga.; RT42 - RT80 7 ga.
 - Housing flanges: 1/4" x 2"
- Full welded exterior and skip welded interior
- Hopper interior welds ground smooth

Dimensions

Model	Cloth Area (Sq. Ft.)	Number of Bags	Dimensions (inches)	
			A	B
18RT7	15	7	28	86 7/16
36RT7	32			104 7/16
54RT7	48			122 7/16
72RT7	65			140 7/16
18RT14	30	14	40	96 11/16
36RT14	64			114 11/16
54RT14	97			132 11/16
72RT14	131			150 11/16
96RT14	175	21	47	174 11/16
36RT21	96			120 11/16
54RT21	146			138 11/16
72RT21	196			156 11/16
96RT21	263	32	60	180 11/16
54RT32	223			149 15/16
72RT32	299			167 15/16
96RT32	401			191 15/16
54RT39	271	39	66	155 3/16
72RT39	365			173 3/16
96RT39	489			197 3/16
72RT52	486	52	72	178 5/16
96RT52	652			202 5/16
72RT62	580	62	84	188 15/16
96RT62	778			212 15/16
72RT780	748	80	93	196 11/16
96RT80	1004			220 11/16



Schenck Process

7901 NW 107th Terrace
 Kansas City, MO 64153
 816-891-9300
sales-fcp@schenckprocess.com
www.schenckprocess.com/us



All information is given without obligation. All specifications are subject to change. © by Schenck Process, 2017