

Work Bin

- Carbon steel, 304 stainless steel, or aluminum construction
- 7' diameter models and larger are 10 gauge, 3' to 6' units are 12 gauge
- Continuous exterior welds
- Skip welds on interior

Application

These storage bins provide a convenient and secure place for long or short term storage of product. The 60 degree hopper encourages free flow of product and reduces plugging and bridging.

Features

- Carbon steel, 304 stainless steel, or aluminum construction
- Bolted top cover, housing flange, or inspection port
- Stub inlet port, size as required
- 60° cone hopper
- All 3' diameter tanks have flat bolted top lid and no inspection opening
- Models with capacities over 500 cubic feet



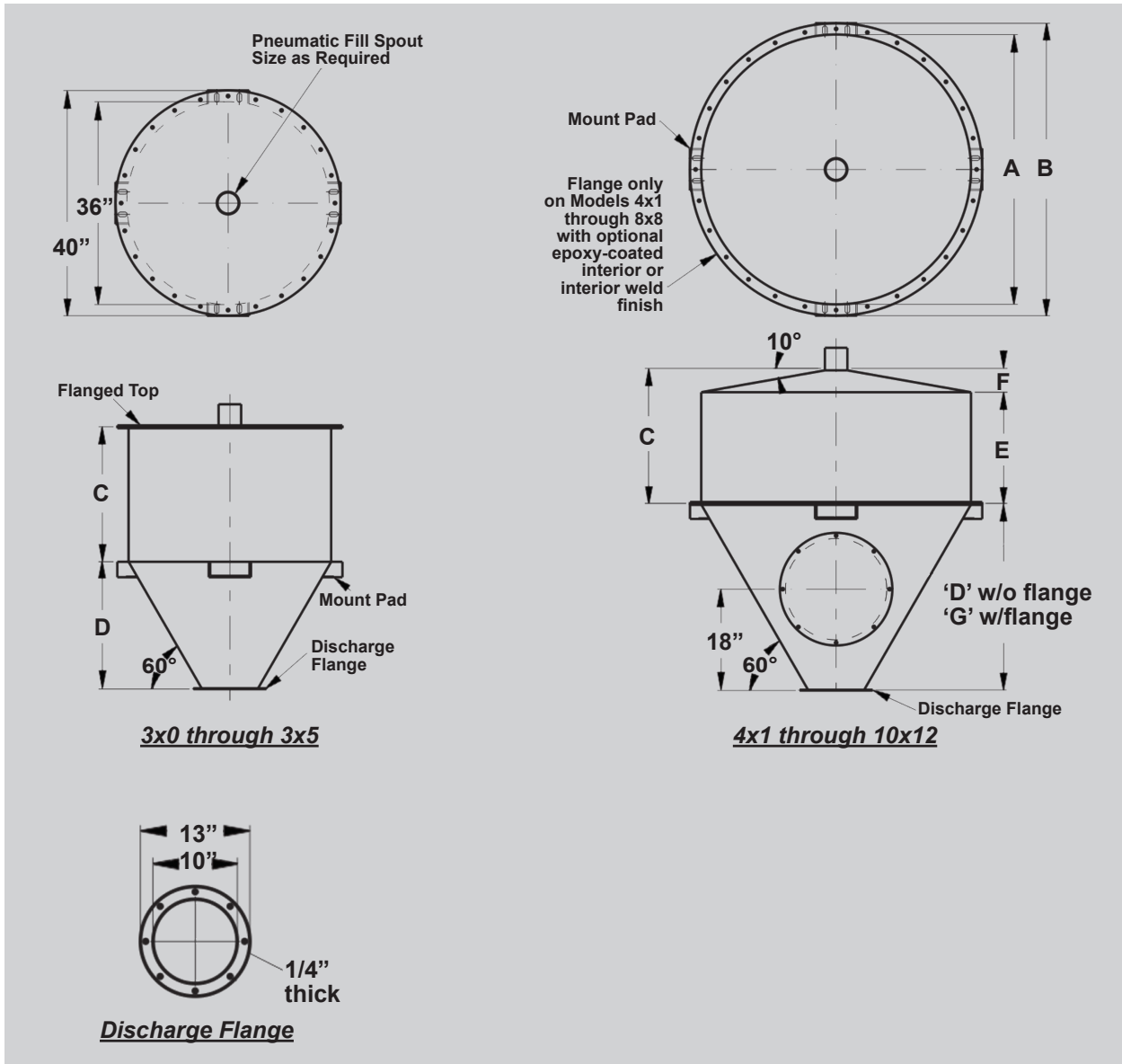
Options

- Level indicator mounting
- Leg support frame
- Product inlet, flanged
- Flanged vent filter opening
- Bolted/sealed 18" diameter inspection opening
- Toolfree access door
- CG24, CG80, or CG120 interior weld grind
- 70 degree cone hopper
- Multiple inlet ports
- Tangential style inlet
- Design for 17" HG vacuum (includes 30 degree top cone)
- Design for full vacuum (includes 30 degree top cone)

Dimensions

Model	Dimensions (inches)							Weight (lbs.)	Max. Capacity Cu.Ft.	Capacity Per Each Additional Ft.
	A	B	C	D	E	F	G			
3x0			0					100	6	
3x1			12					140	13	
3x2			24					180	20	
3x3	36	40	36	22.75	--	--	--	225	27	7
3x4			48					265	34	
3x5			60					310	41	
4x1			12		8.30			220	27	
4x2			24		24.00			280	39	
4x3			36		36.00			340	52	
4x4	48	52	48	33.19	48.00	3.70	33.38	400	64	12
4x5			60		60.00			460	77	
4x6			72		72.00			520	90	
5x2			24		19.25			400	67	
5x3			36		36.00			480	87	
5x4			48		48.00			555	106	
5x5	60	64	60	43.56	60.00	4.75	43.75	630	126	20
5x6			72		72.00			705	146	
5x7			84		84.00			780	166	
6x2			24		18.19			700	105	
6x3			36		36.00			800	133	
6x4			48		48.00			900	161	
6x5			60		60.00			1000	190	
6x6	72	76	72	53.94	72.00	5.81	54.18	1100	218	28
6x7			84		84.00			1200	246	
6x8			96		96.00			1300	274	
7x3			36		29.13			1100	192	
7x4			48		48.00			1125	230	
7x5			60		60.00			1250	268	
7x6	84	88	72	64.31	72.00	6.87	64.5	1375	306	38
7x7			84		84.00			1500	344	
7x8			96		96.00			1625	382	
8x4			48		40.07			1455	328	
8x5			60		60.00			1610	378	
8x6			72		72.00			1765	428	
8x7			84		84.00			1920	478	
8x8	96	100	96	74.75	96.00	7.93	74.94	2075	528	50
8x9			108		108.00			2230	578	
8x10			120		120.00			2385	628	
10x6			72		61.94			3650	696	
10x7			84		84.00			3825	774	
10x8			96		96.00			4000	852	
10x9			108		108.00			4175	930	
10x10	120	124	120	95.50	120.00	10.06	95.69	4350	1008	78
10x11			132		132.00			4525	1086	
10x12			144		144.00			4700	1164	

Dimensions



Schenck Process
 7901 NW 107th Terrace
 Kansas City, MO 64153
 816-891-9300 or Fax: 816-891-8336
 sales-fcp@schenckprocess.com
 www.schenckprocess.com/us



All information is given without obligation. All specifications are subject to change. © by Schenck Process, 2018